

STAR-GS

Star-GS is a type of security turnstiles with transparent, tempered glass leaves.

Elegant design provided by a combination of stainless steel housing and transparent glass leaves makes it suitable for installation at entrances with the requirements of sophisticated product appearance. Indoor application by default.



HALF-HEIGHT TURNSTILE

ELEGANT STAR-GS TURNSTILE WITH GLASS LEAVES FOR SAFE AND SECURITY

 563
mm
PASSAGE WIDTH

 20
pers/min
SINGLE ACCESS

 60
pers/min
FREE ACCESS

 2,5_s
OPENING TIME

 IP 41-54*
PROTECTIVE LEVEL


BI-DIRECTIONAL

Key advantages

- Elegant combination of tempered glass wings and robust stainless steel housing
- Low noise system operation
- Successful combination of affordable price and high quality
- Customized surface finish
- Steadfast housing suitable for high traffic areas
- Low noise system operation
- Can be integrated with any type of access control systems
- Wired remote control panel is in a standard kit
- In case of power failure, gates could be opened manually (fail-safe)

Standard

- Wired remote control panel
- side enclosure

Options

- Any access control systems upon request (e.g. passage counter, RFID/Proximity/BioMetric readers, coin acceptor, push button, barcode and QR-code reader)
- OEM / logo application
- Post with card collector/card reader
- Sound alarm
- Ramped base mobile platform
- Weather pack - IP 54
- Wireless remote control panel

Technical Specifications:

Model	Star-TS
Width	1350 mm
Length	1441 mm
Height	1050 mm
Passage width	563 mm
Barrier type	tempered glass leaf
Mechanism	servo-driven (motorized)
MCBF	5 000 000 cycles

Controlled by:



access control system;

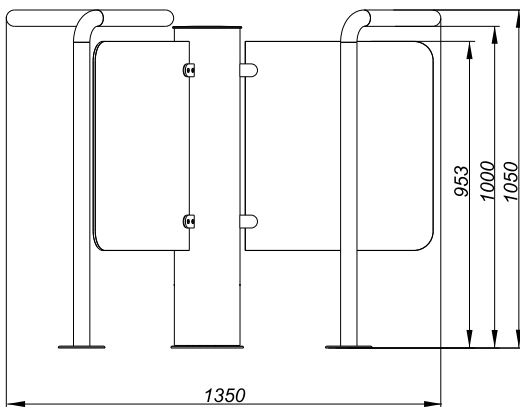


manual control

When power goes OFF both directions are free.

Electrical Specifications:

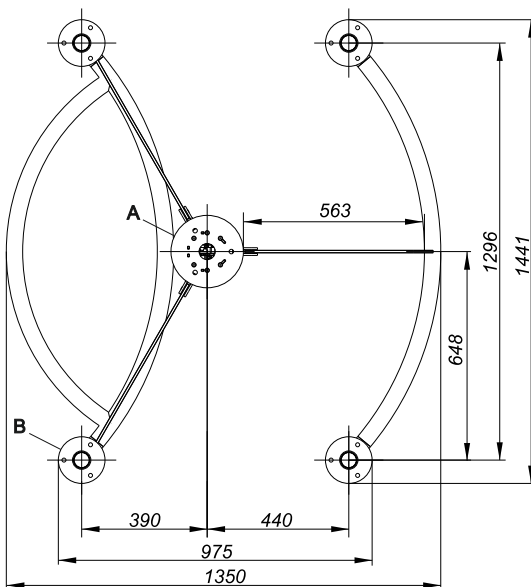
- Voltage:
 - from the AC (100-240)V, 50/60Hz;
 - from a DC source 12 V;
- Maximum power consumption 55W per pass



Materials:

Standard housing	Brushed SS AISI 304
Available housing	- Brushed SS AISI 316
	- Polished SS AISI 304
	- Polished SS AISI 316
	- Powder coated RAL

Installation template



Recommended installation areas:

- Governmental Institutions
- Nuclear Power Plants
- Production sites (Industrial Plants)
- Commercial areas
- Financial institutions
- Airport Premises
- Business (Office) Centers
- Hotels
- Sport Complexes
- Urban areas
- Educational Institutions and others